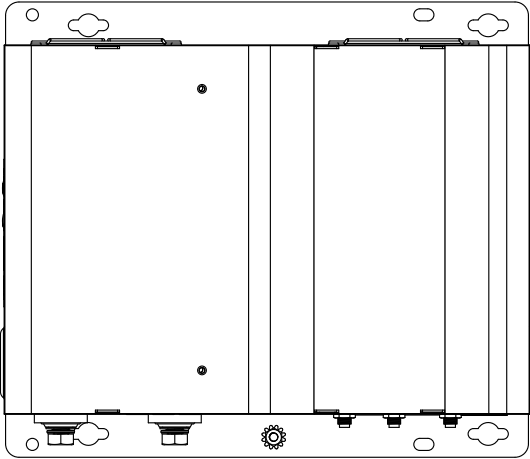


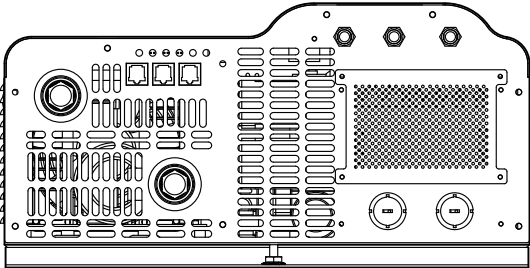
TECHNICAL DRAWINGS

IC244090i Low Frequency 4000W / 90A Inverter-Charger (24 Volt)

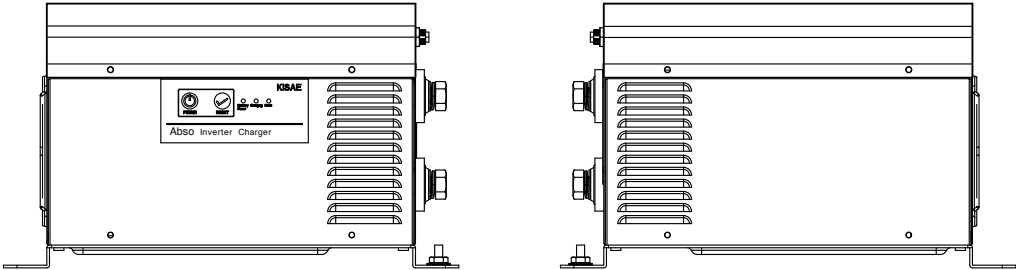
TOP VIEW



FRONT VIEW



SIDE VIEWS



All specifications subject to change without notice.